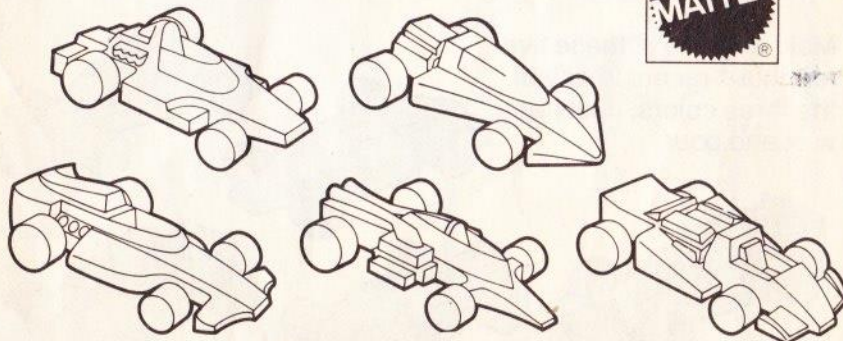


# CAUTION - ELECTRIC TOY:

Not recommended for children under 8 years of age. As with all electric products, precautions should be observed during handling and use to prevent electric shock.

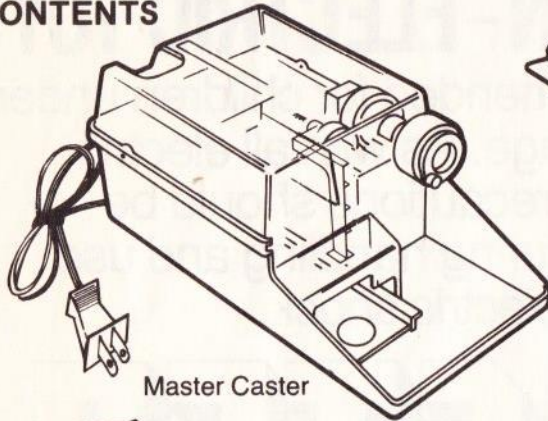
# MASTER CASTER™

INSTRUCTIONS

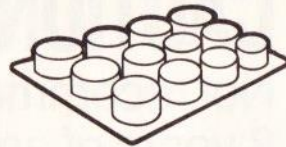


110/120 volts, AC ONLY 60 HZ 6 watts

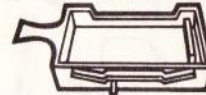
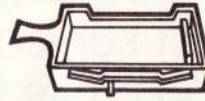
# CONTENTS



Master Caster



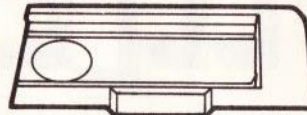
12 Wax Pellets



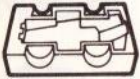
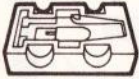
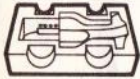
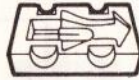
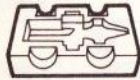
2 Mold Carriers



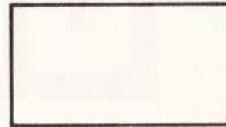
24 Wheel and Axle Sets



Cleaning Tray

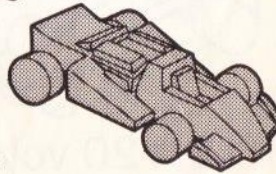
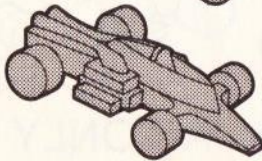
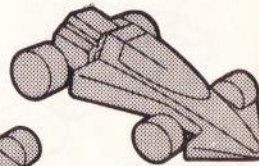
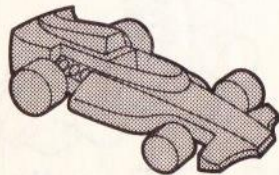


5 Molds (all different)

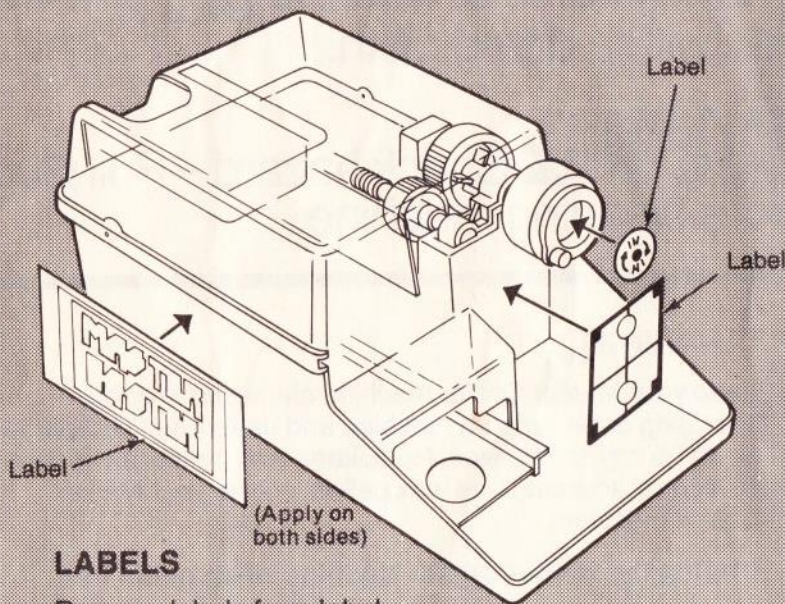


Label Sheet

Mold any one of these five formula 1 racers in any of the three colors. Just heat wax and pour.







### LABELS

Remove labels from label sheet one at a time. Follow the letters on the labels and stick them on the Master Caster as shown.

**PARENTS:** The Master Caster is subject to normal wear and abuse. For your children's safety, check the Master Caster regularly for potential hazards, such as damaged cord, plug, housing, or other parts. If found damaged, do not allow use until it is repaired.

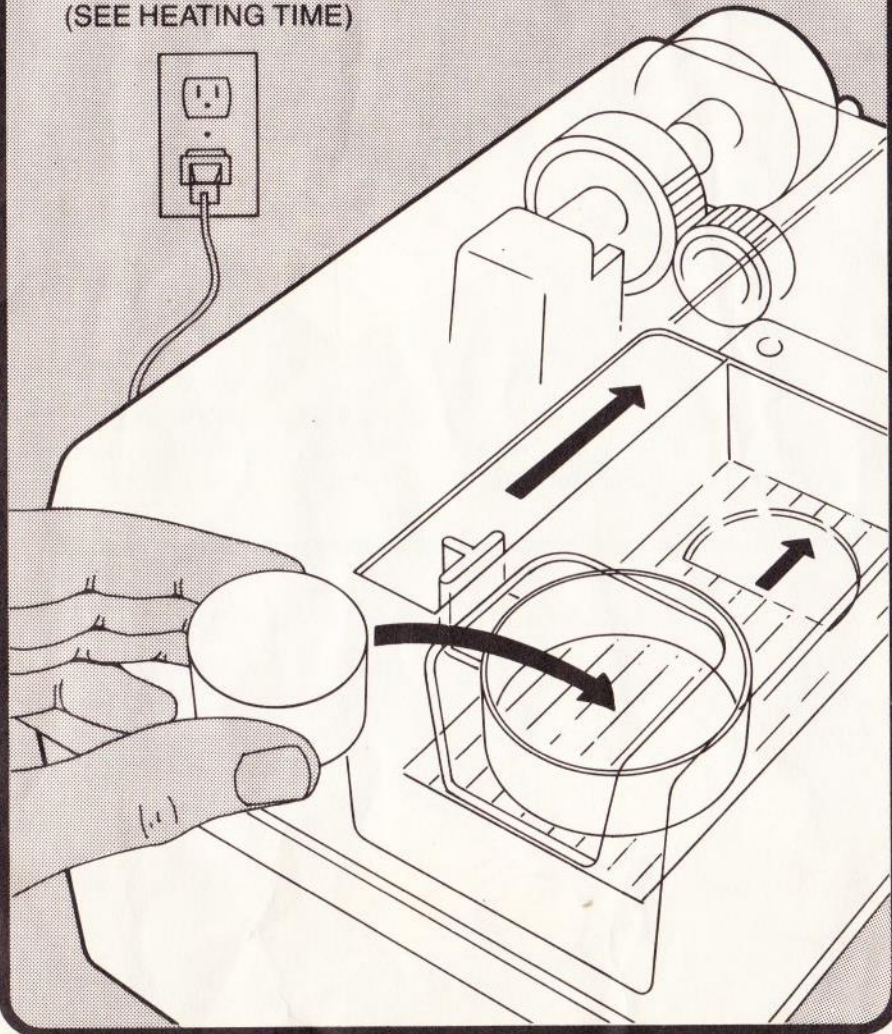


**1.** Plug cord into a wall socket.

**2.** Choose one of the three colors of wax pellets for the color of your racer.

Slide open top of heater and place wax pellet inside as shown. Close the cover and slide wax pellet forward until it drops thru hole into bucket.

(SEE HEATING TIME)

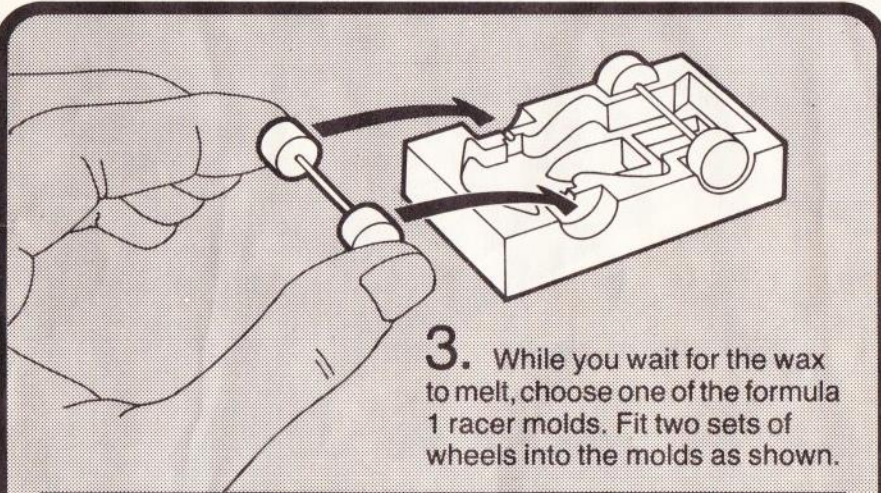




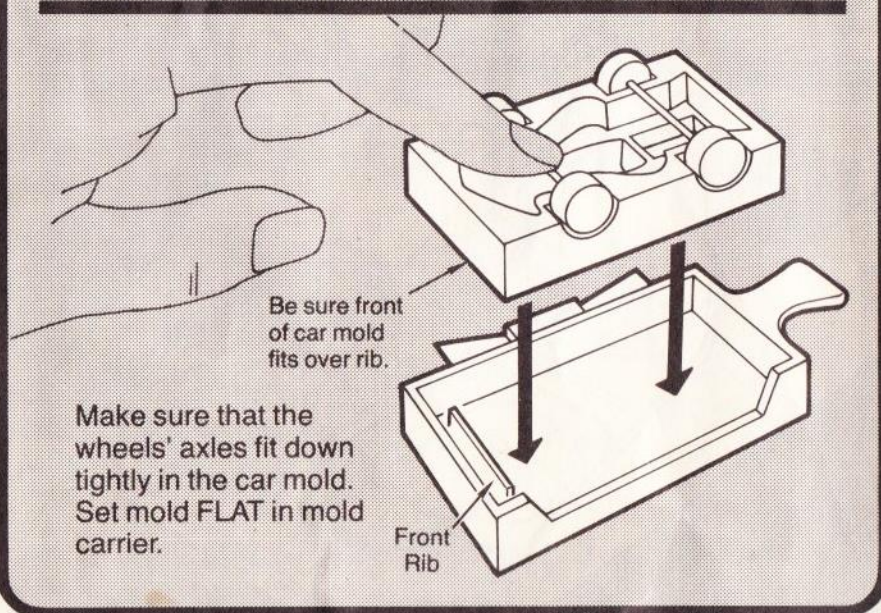


## HEATING TIME

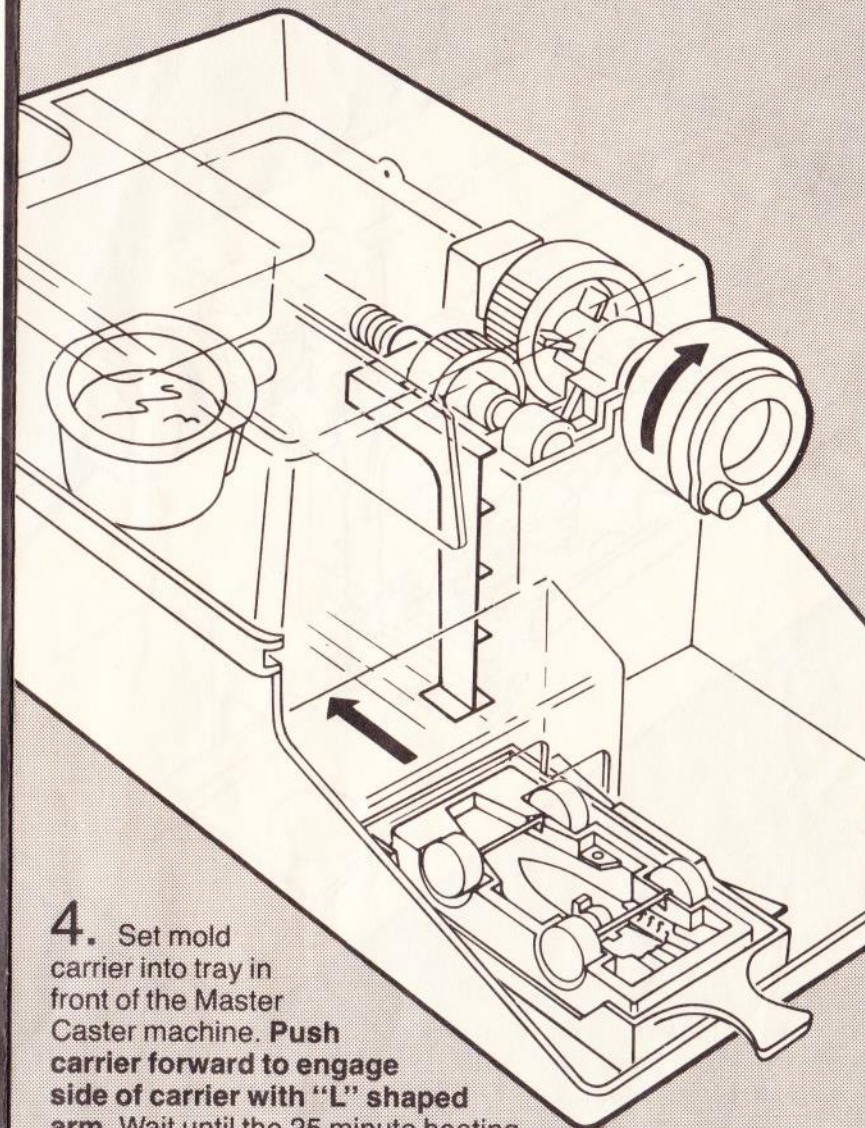
Allow approximately 25 minutes for the wax to heat and become a liquid. In a cooler or warmer room this time may vary.



**3.** While you wait for the wax to melt, choose one of the formula 1 racer molds. Fit two sets of wheels into the molds as shown.

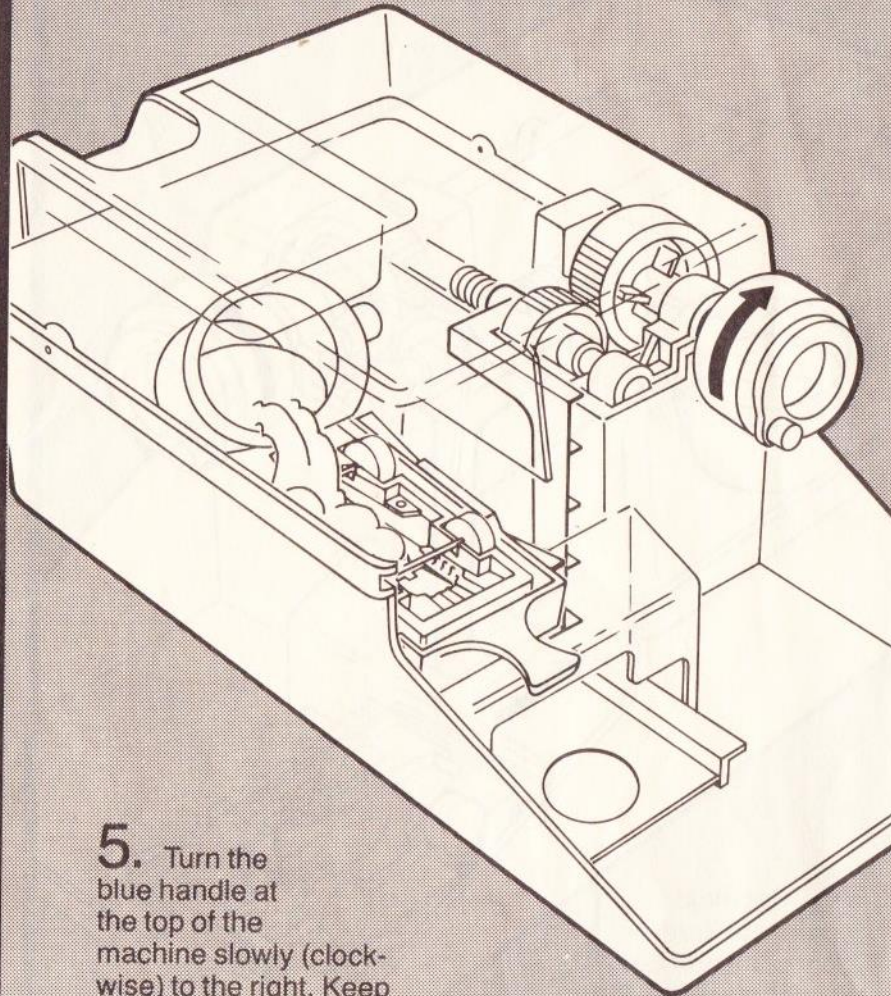






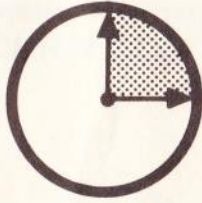
**4.** Set mold carrier into tray in front of the Master Caster machine. **Push carrier forward to engage side of carrier with "L" shaped arm.** Wait until the 25 minute heating time is up and the wax has turned to a liquid.





**5.** Turn the blue handle at the top of the machine slowly (clockwise) to the right. Keep turning the blue handle until the mold carrier has carried the mold under the melting pot and the pot has turned down and filled the mold with hot wax. Hot wax must cover both axles.

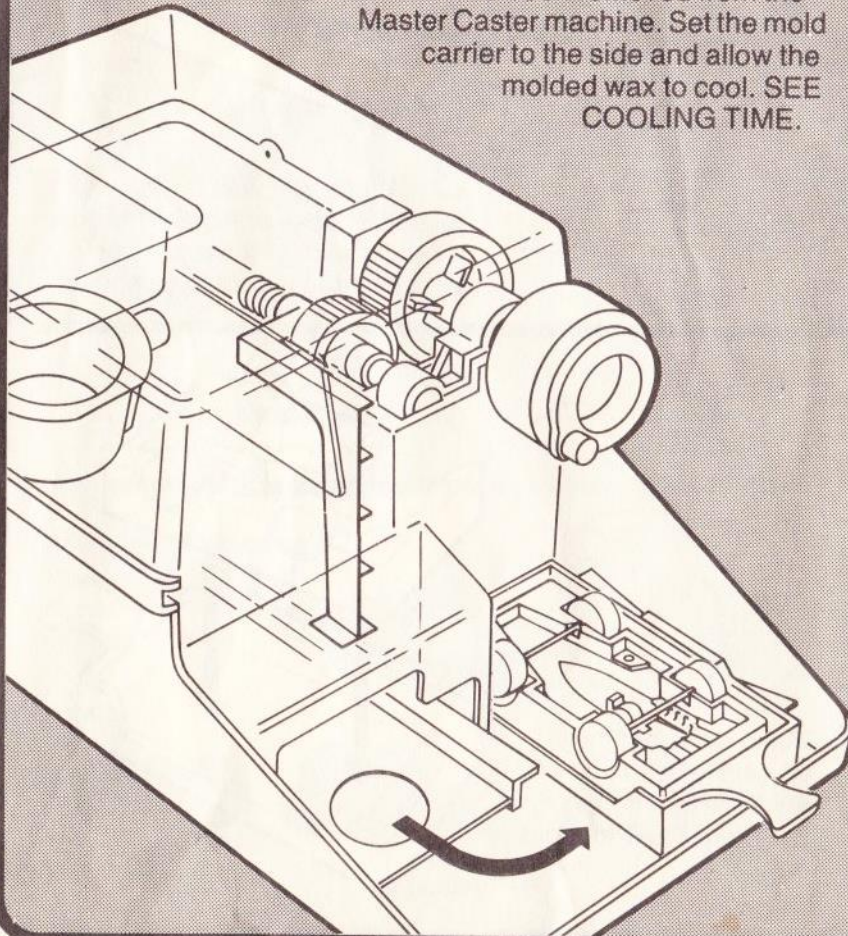




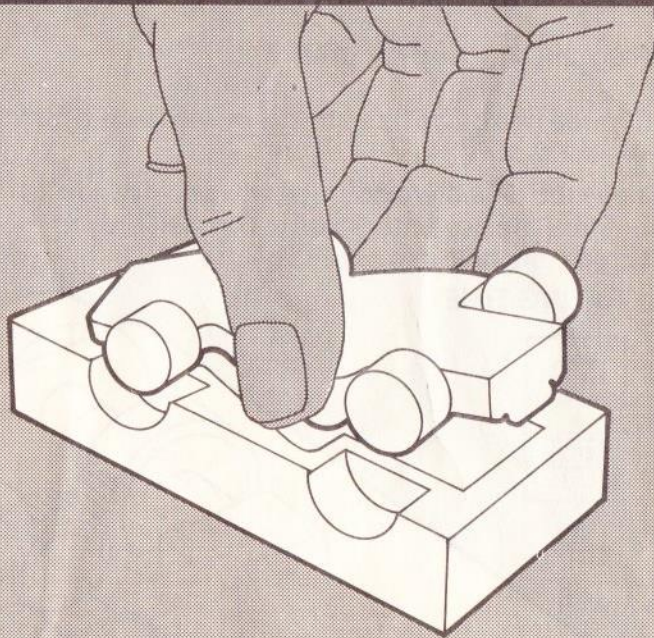
## COOLING TIME

**Do not remove mold from mold carrier.** Allow 15 minutes cooling time before removing mold from mold carrier and car from mold. Cooling time may be speeded up by placing mold carrier and mold in the refrigerator.

6. After filling the mold with wax, turn the blue handle to the left (counter clockwise) until the mold carrier and mold have been removed from the Master Caster machine. Set the mold carrier to the side and allow the molded wax to cool. SEE COOLING TIME.





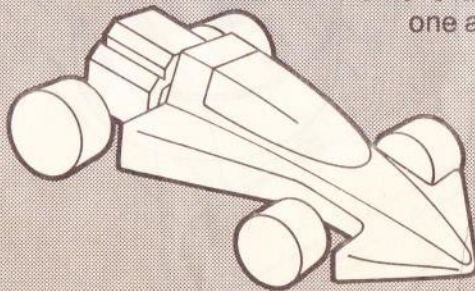


**7.** After the 15 minutes cooling time, remove the wax formula #1 racer from the mold. Left over wax and broken racers can be remelted and used again.

---

### LABEL YOUR FORMULA 1 RACERS

Remove labels from label sheets one at a time. Stick labels on racers as you like.





**DANGER** – To prevent electric shock, do not immerse in water; unplug and wipe clean with a damp cloth.

**WARNING:** Shock hazard – Pull plug before cleaning machine.

#### **CLEANING**

Keep your Master Caster machine clean and in good operating order. Unplug machine and use a blunt scraper to clean up any spilled wax. Note: keep wax pellets away from other heat sources. Use wax pellets only in your Master Caster machine.

**Unplug the Master Caster Machine when not in use.**

#### **LIMITED WARRANTY**

Mattel Toys warrants to the original consumer purchaser of any toy product it manufactures (other than electronic toys) that the product will be free of defects in material or workmanship for 90 days from the date-of-purchase. If defective, return the product along with proof of the date-of-purchase to either your local dealer or, postage prepaid, to Consumer Adjustment Center, 5150 Rosecrans Avenue, Hawthorne, California 90250, for replacement. This warranty gives you specific legal rights, and you may also have other rights which vary from state to state. This warranty does not cover damage resulting from accident, misuse, or abuse.